



Mercedes-Benz
approved



ARP3DHPMB

DESCRIPTION

ARP3DHPMB
3D wheel aligner

Supplied with the aligner:

- Specific Mercedes software
- Mercedes original database
- Two pair of 4-point wheel clamps STDA46EU/3D-MB
- One set of four spirit levels STDA149 for targets
- One pair of STDA134 low friction turn tables
- One extra pair of STDA128 batteries (total 4)
- One extra pair of STDA117 lift brackets (total 4)
- Cabinet equipped with side holders for MB 3-point wheel clamps (not included)
- Cabinet including support for Romess device (not included)
- PC with mouse and DVD reader



Original Mercedes database



Data before and after adjustment

3D Wheel aligner



COMPANY WITH
QUALITY SYSTEM
CERTIFIED BY DNV GL
= ISO 9001 =

Bluetooth®

Bluetooth transmission between measuring heads and control unit.



STDA128
(2 sets = 4 batteries)
Two standard batteries and two spares



Parameter	Left Wheel	Right Wheel	Left Wheel	Right Wheel
Track (mm)	150	150	150	150
Toe (mm)	0	0	0	0
Steering axis inclination (SAI) (°)	0	0	0	0
Wheel alignment	OK	OK	OK	OK

Included



STDA46EU/3D-MB
Two pair of 4-point clamps for general usage



STDA149 (4 x kit)
Spirit levels for targets



STDA134 (2 x kit)
Turntables

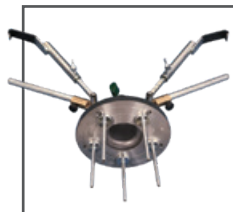


STDA117 (2 sets = 4 brackets)
Two standard brackets and two extra

Not included



To be ordered from company Romess:
ROMESS measuring device



To be ordered from Mercedes AG:
Mercedes wheel clamps (4 x kit)

SPACE s.r.l. a s.u.

Via Sangano, 48
10090 Trana - Torino - ITALY
tel. +39-011-934.40.300
fax +39-011-933.88.64
e-mail: info@spacetest.com
www.spacetest.com

A DOVER COMPANY

Le caratteristiche tecniche e gli allestimenti presentati in questo prospetto possono subire variazioni. Le immagini riprodotte non sono vincolanti.
Technical data and composition presented in this catalogue may vary.
Pictures reproduced are only indicative.

Die techn. Daten und die Ausrüstungen, die in diesem Prospekt enthalten sind, können Änderungen erfahren. Deshalb sind die Abbildungen unverbindlich.
Les caractéristiques techniques et les compositions présentées dans ce prospectus peuvent subir des variations. Les images reproduites n'ont qu'une valeur indicative.

Las características técnicas y las composiciones ilustradas en este folleto pueden sufrir variaciones. Las imágenes propuestas son solamente indicativas.

CE DTW07U (04)



Mercedes-Benz
approved



Capacity 4 T

DESCRIPTION

SQ406 MB

Electro-hydraulic 4 post lift, capacity 4 T

Supplied with the lift:

- Alignment runways
- Rear built-in sliding tables front spacers for turn tables

Long run-up ramps

J40PMB - 4t Jacking Beam with MB specific adapters (spiral cable included)

MKS - system to check lift planarity.

The MKS kit allows to place the four targets and check the perfect lift planarity. Targets, cameras and turn tables are part of the wheel aligner and not included with the lift.

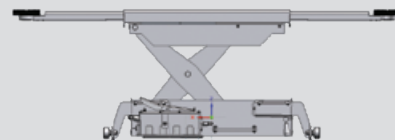
Lighting Kit - four led

Energy Kit:

- 2 compressed air quick connections
- 1 electric plug Schuko 220V single phase

J30PMB

Includes:



S305A4



S370A19



S224A3 H=140 MM



S224A4 H=80 MM

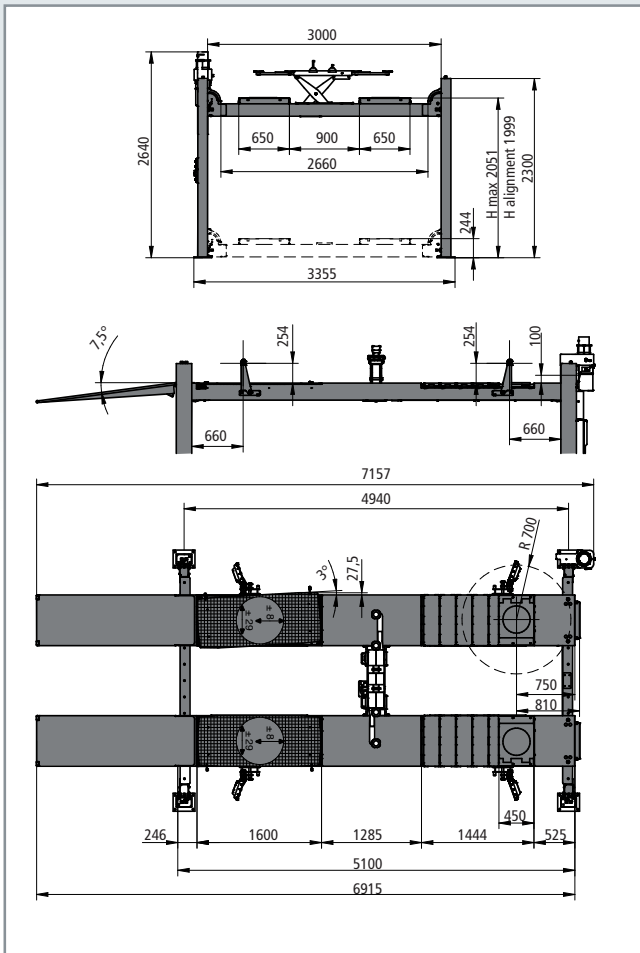


SQ406 MB

Electrohydraulic
4-post lifts



COMPANY WITH
QUALITY SYSTEM
CERTIFIED BY DNV GL
= ISO 9001 =

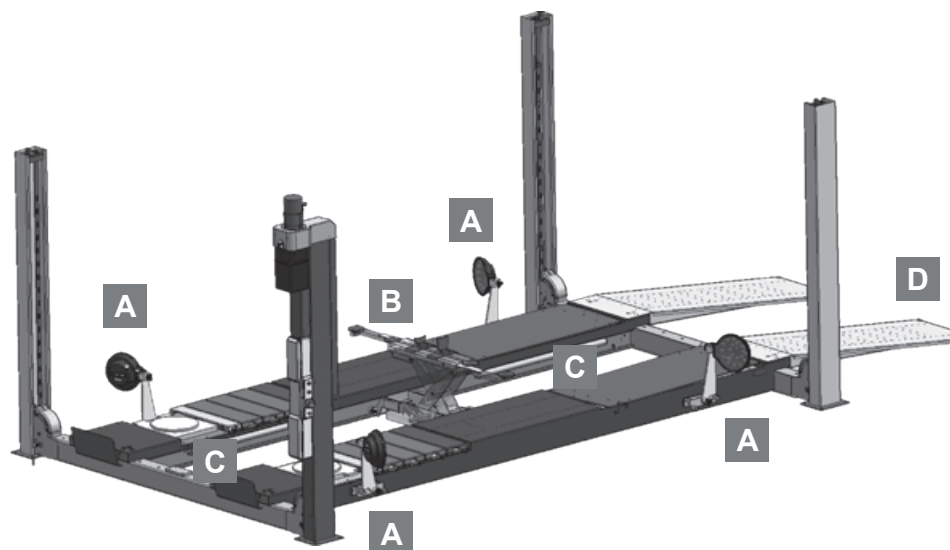


Alignment runways
Rear built-in
sliding tables front
spacers for turn
tables

The MKS kit allows to place the
four targets and check the perfect
lift planarity.

Targets, cameras and turn tables
are part of the wheel aligner and
are not included with the lift.

- A MKS system to check lift planarity
- B J30PMB - 3t jacking beam with MB specific adapters (spiral cable included)
- C Lighting kit - four led
- D Long runuo ramps



SPACE s.r.l. a s.u.

Via Sangano, 48
10090 Trana - Torino - ITALY
tel. +39-011-934.40.300
fax +39-011-933.88.64
e-mail: info@spacetest.com
www.spacetest.com

Le caratteristiche tecniche e gli allestimenti presentati in questo prospetto possono subire variazioni. Le immagini riprodotte non sono vincolanti.
Technical data and composition presented in this catalogue may vary.
Pictures reproduced are only indicative.

Die techn. Daten und die Ausrüstungen, die in diesem Prospekt enthalten sind, können Änderungen erfahren. Deshalb sind die Abbildungen unverbindlich.
Les caractéristiques techniques et les compositions présentées dans ce prospectus peuvent subir des variations. Les images reproduites n'ont qu'une valeur indicative.

Las características técnicas y las composiciones ilustradas en este folleto pueden sufrir variaciones. Las imágenes propuestas son solamente indicativas.



Mercedes-Benz
approved



Capacity 6,5 T

DESCRIPTION

SQ652 MB

Electro-hydraulic 4 post lift, capacity 6,5 T

Supplied with the lift:

- Alignment runways
- Rear built-in sliding tables front spacers for turn tables
- Long run-up ramps

J40PMB - 4t Jacking Beam with MB specific adapters (spiral cable included)

MKS - system to check lift planarity. The MKS kit allows to place the four targets and check the perfect lift planarity. Targets, cameras and turn tables are part of the wheel aligner and not included with the lift.

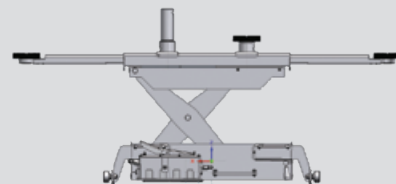
Lighting Kit - four led

Energy Kit:

- 2 compressed air quick connections
- 1 electric plug Schuko 220V single phase

J40PMB

Includes:



S305A4



S370A19



S224A3 H=140 MM

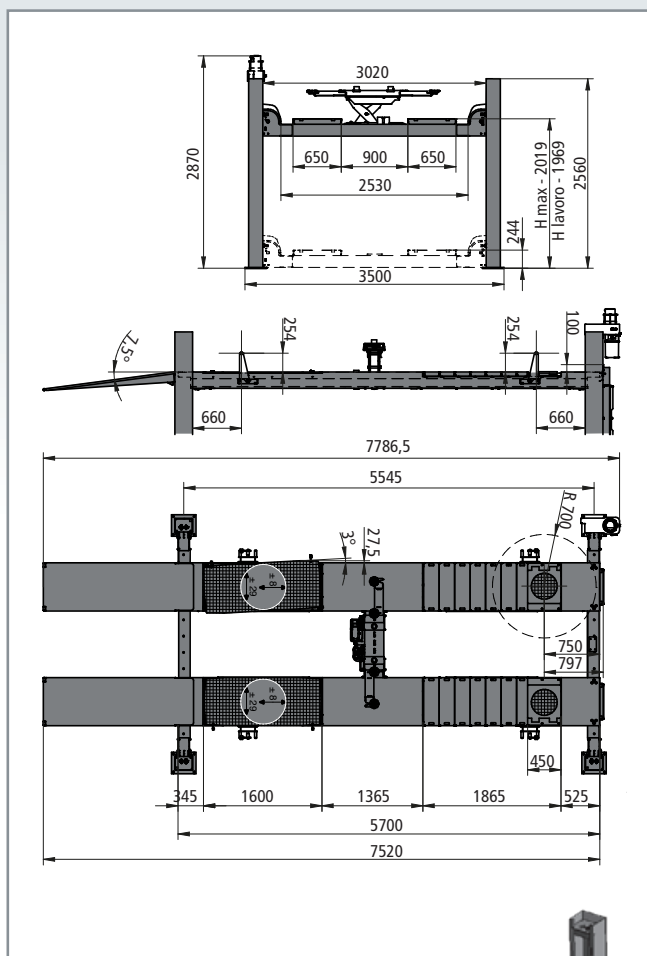


S224A4 H=80 MM



SQ652 MB

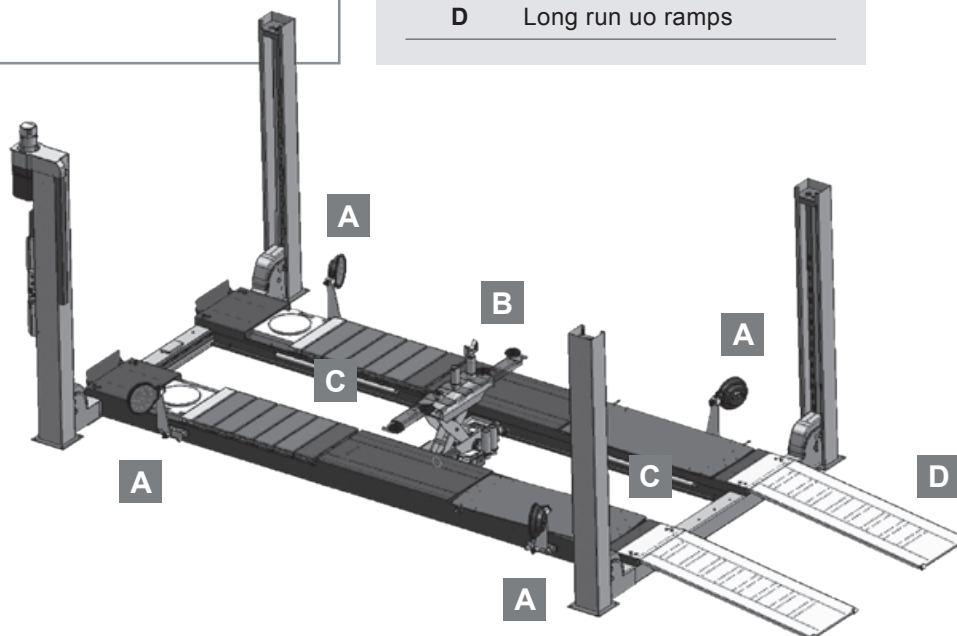
Electrohydraulic
4-post lifts



Alignment runways
Rear built-in
sliding tables front
spacers for turn
tables

The MKS kit allows to place the
four targets and check the perfect
lift planarity.
Targets, cameras and turn tables
are part of the wheel aligner and
are not included with the lift.

- A MKS system to check lift planarity
- B J40PMB - 4t jacking beam with MB specific adapters (spiral cable included)
- C Lighting kit - four led
- D Long runuo ramps



SPACE s.r.l. a s.u.

Via Sangano, 48
10090 Trana - Torino - ITALY
tel. +39-011-934.40.300
fax +39-011-933.88.64
e-mail: info@spacetest.com
www.spacetest.com